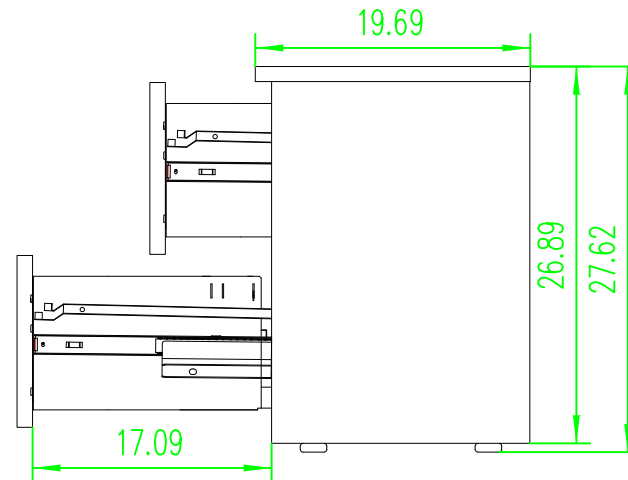
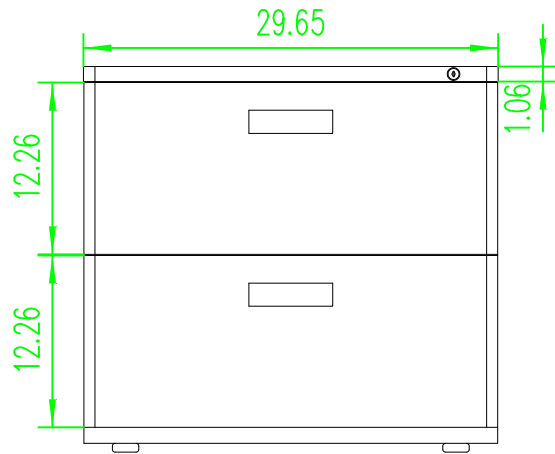
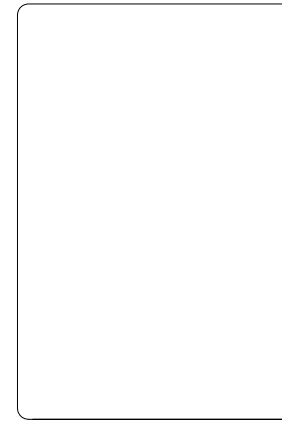


- ◎ Heavy Gauge Steel Structure.
- ◎ Three Step Ball Bearing Suspension.
- ◎ Anti-tilt Counterweight.
- ◎ Removable Lock Core.
- ◎ Powder Coating: 40μ-80u.



LF2-30-SP

**HMU, LLC**

Lateral File

Thickness

Weight  
92.59 lb

File Name  
LF2-30-SP

Date  
2007/08/01

Edition  
101

Scale  
2.0:1

Unit  
Inch