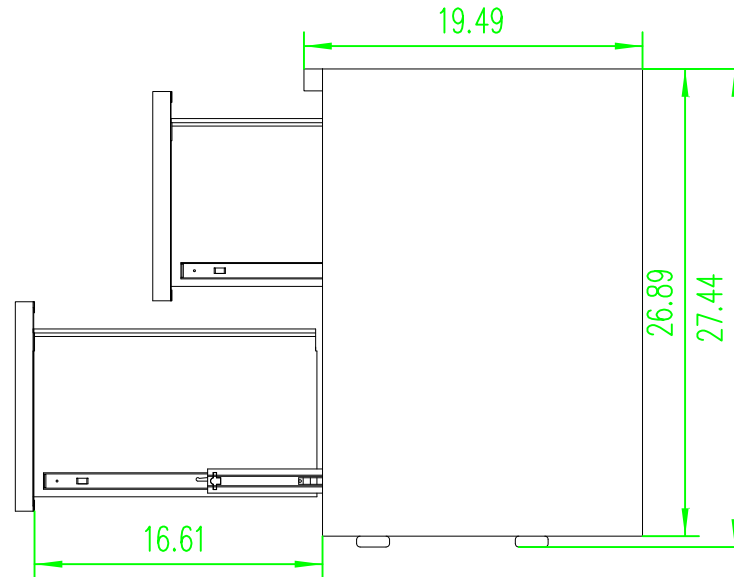
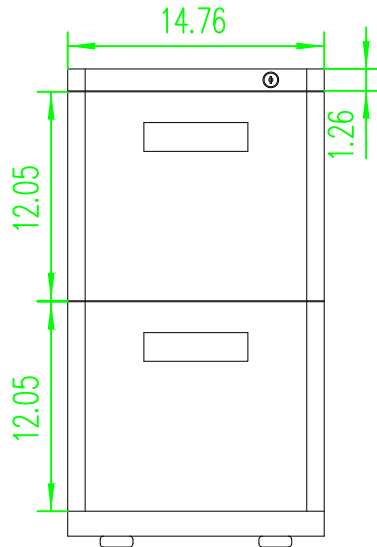
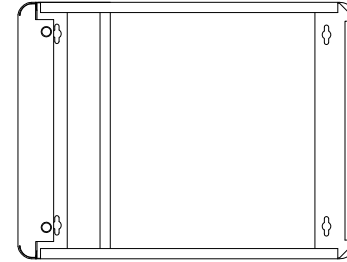


- ⊙ Heavy Gauge Steel Structure.
- ⊙ Three Step Ball Bearing Suspension.
- ⊙ Removable Lock Core.
- ⊙ Powder Coating: 40u-80u.



FF-SP

HMU, LLC

Structural Pedestal

Thickness

Weight
56.22 lb

File Name
FF-SP

Date
2007/08/01

Edition
101

Scale
2.5:1

Unit
Inch